



### Model 81R640

100 psi max. pressure  
3.7 CFM open flow (60 Hz)

100 psi max. pressure  
3.0 CFM open flow (50 Hz)

### Recommended Accessories

Pressure gauge AA806

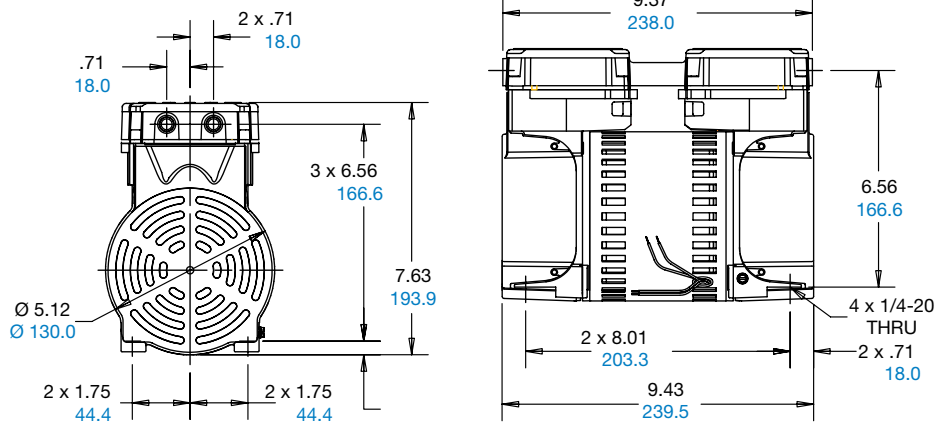
Safety valve AP202

Filter B300A

Capacitors AT251 dry or AJ594 wet

Repair kit K934

### Product Dimensions (inches, mm)



### Product Specifications

Model Number	Motor	Motor Type	RPM		HP	KW	Net Weight	
			60 Hz	50 Hz			lb	kg
81R640-P101-H311CX	115-60-1	PSC	1725	--	1/3	0.25	17.1	7.8
81R640-P101-H302CX	220-240-50-1	PSC	--	1450	1/3	0.25	17.1	8.0

- Oilless operation
- All wetted aluminum parts treated for corrosion protection from moisture
- Rugged motor shell construction

### Product Performance

