



### Models 71R645/71R655

28 inHg max. vacuum  
4.5 CFM open flow (60 Hz)

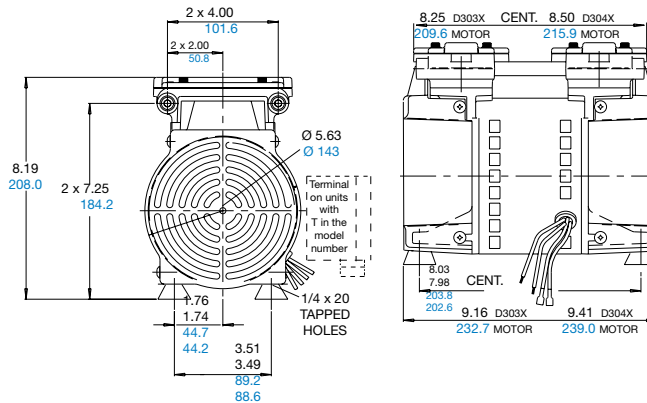
### Models 72R547/72R555 Staged

29 inHg max. vacuum  
2.6 CFM open flow (60 Hz)

### Models 72R645/72R655

28 inHg max. vacuum  
5.5 CFM open flow (60 Hz)

### Product Dimensions (inches, mm)



### Product Specifications

Model Number	Motor	Motor Type	Parallel/ Staged	RPM	60 Hz	50 Hz	HP	KW	Net Weight lb	kg
71R645-V114-D303X	115-60-1	PSC (4 pole)	Parallel	1650	--	--	1/3	0.25	15.6	7.09
71R655-V10-C222X	220/240-50-1	Shaded Pole	Parallel	--	1450	--	1/3	0.25	16.0	7.27
*71R655-V10-C222TX	220/240-50-1	Shaded Pole	Parallel	--	1450	--	1/3	0.25	16.0	7.27
71R655-V114-D304X	220/240-50-1	PSC (4 pole)	Parallel	--	1425	--	1/3	0.25	16.0	7.27
72R547-V116-D303X	115-60-1	PSC (4 pole)	Staged	1650	--	--	1/3	0.25	15.6	7.09
72R555-V10-C222X	220/240-50-1	Shaded Pole	Staged	--	1450	--	1/3	0.25	19.8	9.0
72R555-V10-C222TX	220/240-50-1	Shaded Pole	Staged	--	1450	--	1/3	0.25	19.8	9.0
72R555-V116B-D204X	220/240-50-1	PSC (4 pole)	Staged	--	1425	--	1/3	0.25	16.0	7.27
72R645-V114-D303X	115-60-1	PSC (4 pole)	Parallel	1650	--	--	1/3	0.25	15.6	7.09
72R655-V10-C222X	220/240-50-1	Shaded Pole	Parallel	--	1450	--	1/3	0.25	21.8	9.9
72R655-V10-C222TX	220/240-50-1	Shaded Pole	Parallel	--	1450	--	1/3	0.25	21.8	9.9
72R655-V114-D304X	220/240-50-1	PSC (4 pole)	Parallel	--	1425	--	1/3	0.25	16.0	7.27

\* All model numbers with T have a terminal box attached

- Oilless operation
- All wetted aluminum parts treated for corrosion protection from moisture
- Rugged motor shell construction
- Includes
  - Dry-cell capacitor AT250 (D303X motor), AT251 (D304X motor)-not pictured, shipped unattached
  - (4) rubber feet AF713A

### Product Performance

